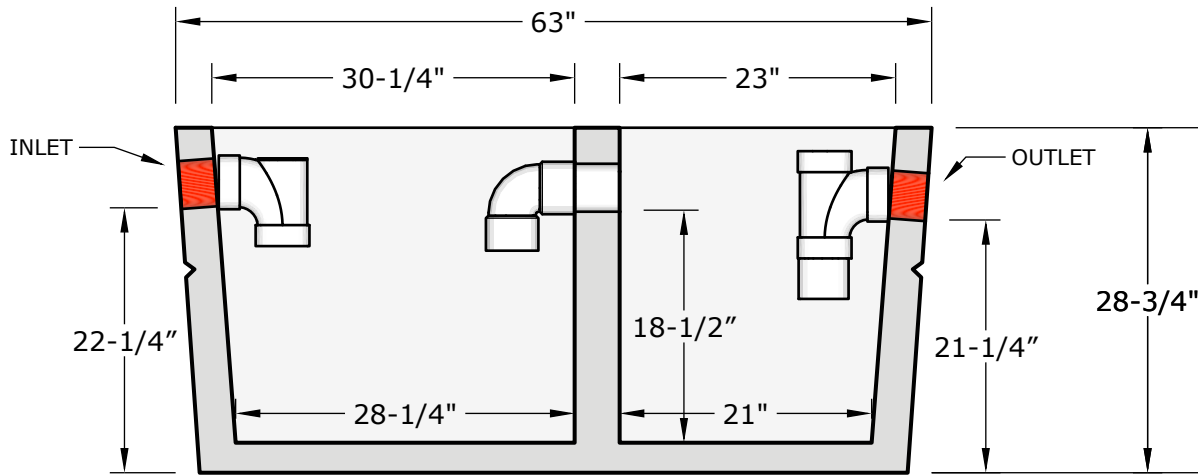
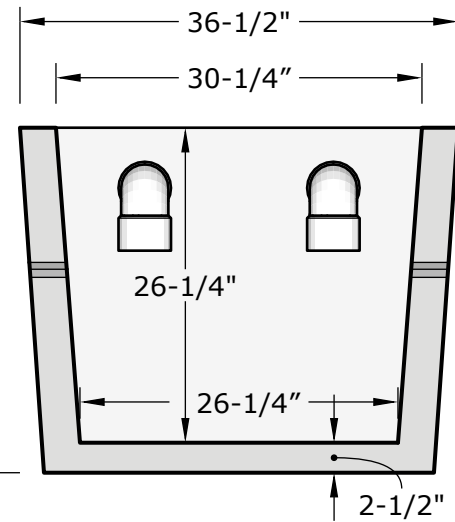


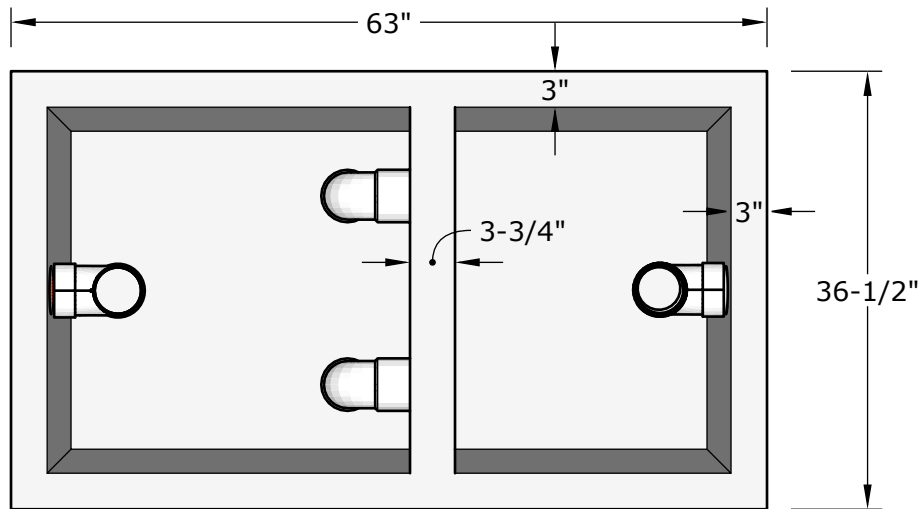
1 SIDE VIEW (CROSS SECTION)
Scale: 3/4" = 1'



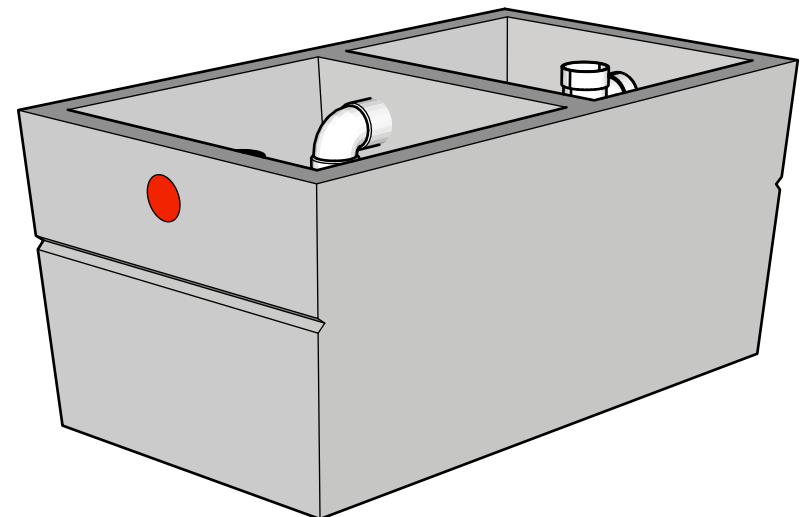
2 INLET END (CROSS SECTION)
* 3/4" = 1'



3 PLAN VIEW
Scale: 3/4" = 1'



4 ISO VIEW
* Not to Scale



NOTES

- (2) 4" PVC CROSS-OVERS INCLUDED
- INLET AND OUTLET TEE'S ARE INCLUDED IF NEEDED
- CONCRETE LID ALSO AVAILABLE

TITLE

135 Gallon
Sand/Oil Interceptor

DATE 09/22/23

REVISION 2.0

THE FAGENSTROM CO.

2101 NORTHWEST BYPASS
P.O. Box 2623
GREAT FALLS, MT 59403
WWW.FAGENSTROM.CO
406-761-5200

